

G4 Emergency LED T8 Tube



- 2-in-1 tube: regular T8 lighting and emergency lighting
- Manual testing button
- Automatic self-testing: 30-second test monthly and 90-minute test annually
- Self-diagnosis with flashing indicator if the battery time drops below 90 minutes
- Built-in lithium batteries
- Controllable by wall switch

G3 Plus Emergency LED T8 Tube



- 2-in-1 tube: regular T8 tube with backup battery
- Manual testing button
- Automatic self-testing: 30-second test monthly and 90-minute test annually
- Self-diagnosis with flashing indicator if the battery time drops below 90 minutes
- Built-in lithium batteries
- Anti-electric shock safety switches - patented
- Operates on an always-on circuit
- Easy to install and cost-effective

G4 Emergency LED T5 Tube



- 2-in-1 tube: regular T5 lighting and emergency lighting
- Manual testing button
- Automatic self-testing: 30-second test monthly and 90-minute test annually
- Self-diagnosis with flashing indicator if the battery time drops below 90 minutes
- Built-in lithium batteries
- Controllable by wall switch

Emergency Battery Pack (EMA)



- Automatic Battery Testing: 30 second test monthly and 90 minute test annually
- Emergency Operation: 90 minutes
- Constant power output on emergency mode
- Malfunction indicator
- 2-in-1 waterproof LED test switch and indicator light included
- Install outside of the fixtures

G6 SureFit® DBA LED Tube



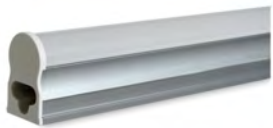
- Glass tube with shatter-proof PET coating
- Safest LED T8 LED retrofit tube in the market
- Anti-Electric Shock – Dual Safety Switches – Aleddra Patent
- Anti-Arcing – Aleddra Patent
- Double-end wired (AC Friendly)
- Ballast Compatible – Electronic Instant Start
- Works with shunted and non-shunted sockets (no need to replace sockets)

Type B LED T5 (Ballast Bypass)



- T5 glass tube
- Same look and feel of a fluorescent T5
- No ballast or external driver required
- Double-end wired to AC line voltage
- Suitable for existing fluorescent fixture retrofit applications
- Uses half the energy as fluorescent T5 tubes
- Shatter-proof PET coating included

T5 LED Integrated Lamp



- Operates directly from line voltage
- Usable as a stand alone fixture
- Linkable up to 20 feet
- Suitable for damp locations
- Good heat dissipation
- Rated lifetime of 50,000 hrs
- DLC Listed for utility rebate
- Dimmable models support only 120V TRIAC dimmer

LED Cooler Light



- Daisy-chain installation, can be connected up to 10pcs (up to 200 watts in a series)
- Built-in driver
- Housing: Aluminum + PC cover
- LED alternative for refrigerator lighting
- Includes male/female joint cable and installation accessories

CF-LED® PL Replacement Lamp



- 50% energy saving and 75% maintenance reduction
- Cost-effective
- Rated for enclosed fixture
- GX23-2 & G24Q bases are dual-mode: ballast-compatible and line voltage friendly
- E26 & GU24 bases are line voltage friendly
- Can be installed horizontally or vertically with the same beam spread as traditional lamps

CF-LED® U-Lamp



- AC friendly (ballast must be bypassed)
- Compact design and half the weight of LED Corn Light
- Up to 80% energy savings!
- Cost-effective HID/MH replacement
- Mounting style: Base-up (BU), Horizontal or Base-Down (BD)
- 22W & 30W may be used with enclosed fixture with sufficient housing space

SureFit® PL Convertible (PLC) Lamp



- 50% energy saving and 75% maintenance reduction
- Rated for enclosed fixture
- Adjustable beam angle up to 90 degree
- Extensible arm for adjusting lamp position in the fixture
- Ballast-compatible and line voltage friendly
- Can be installed horizontally or vertically with the same beam spread as traditional lamps

AirGuardian™ Table Lamp



- Completely UV-free and no health hazard
- 99.5% removal rate on H1N1 influenza virus in an hour in a test chamber
- Air-permeable lampshade with high density photocatalyst coating
- Color-tuning setting (2700K, 4000K, 5000K)
- Adjustable brightness levels
- Built-in USB charging ports

UFO Highbay Fixture



- Saves up to 70% energy as compared to existing highbay fixtures
- Stylish and modern design and a lower profile
- Designed for indoor lowbay or highbay application
- IP65 rated for dry, damp and wet locations

UFO Emergency Battery Pack



- Automatic Battery Testing: 30 seconds test monthly and 90 minutes test annually
- Emergency Operation: 90 minutes
- Optimized for internal UFO fixture
- Constant power output on emergency mode
- One Piece Design with Metal Housing
- IP65 Rated
- 2-in-1 waterproof LED test switch and indicator light included

Linear Highbay Fixture



- Saves up to 70% energy as compared to existing highbay fixtures
- Replaces HID metal halide and fluorescent highbay light fixtures
- 0-10V dimming
- Rated at 50,000 hours of continuous use
- Designed for large commercial spaces

Tri-proof Vapor Tight



- IP65 waterproof rated, dust, corrosion and pressure-proof
- High Impact PC Housing (Ik08)
- No dark spots, uniform luminous surface
- Excellent heat dissipation
- Maximum efficacy and minimum glare
- Can be ceiling or suspension mounted

Rotatable Wallpack



- IP65 Rating
- No UV or IR in the beam
- Easy to install and operate
- Energy saving and long lifespan
- Instant start, NO flickering, NO humming
- Ideal for residential/commercial applications

Gen4 Shoebox Fixture



- Energy-efficient and cost-effective replacement for existing parking lot lighting luminaire
- Stylish design yields less wind drag, protective cover on the back prevents bird from nesting
- Light Distribution: Type III
- Surge protection
- Photocell and motion sensor optional
- 5-pin NEMA receptacle built-in
- IP65 rated for wet location

Gen4 Sports Light



- Excellent thermal management for superior system stability and longevity
- IP65 rated
- Solid state design and easy to install
- Instant start, NO flickering, NO humming
- Maximum light output and minimal energy consumption
- Energy saving and long lifespan

Gen2 High Power Flood Light



- IP66 rated
- Compact and light weight
- Wide range of wattage from 250W to 1500W
- High power & wide beam angle
- 120 and 150 degree lens
- Cost-effective

G4 Emergency T8 (For On/Off Applications)

ALEDDRA



Features

- 2-in-1 tube: regular T8 lighting and emergency lighting
- Fully automatic self-testing: 30-second test monthly and 90-minute test annually
- Fully automatic self-diagnosis with flashing indicator if the battery time drops below 90 minutes
- Manual testing button
- Built-in lithium batteries
- Controllable by wall switch
- Easy battery shutoff switch for a long stocking time
- Patented (for details, please click [here.](#))

Product Compliance & Certifications:

- ETL certified for Type B (ballast bypass)
- DLC 5.1 Listed
- IES Progress Report 2020 Selection
- 90 minutes battery time per industry standard

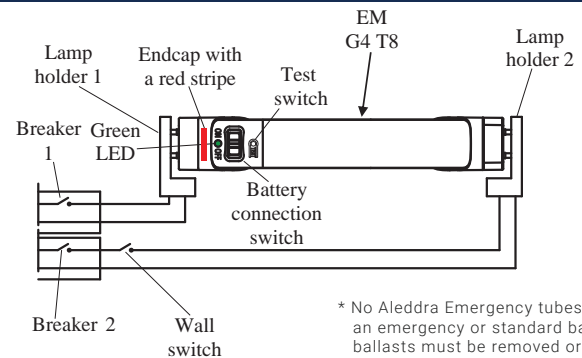
* The Emergency Tube meets the performance requirements of UL924 but not UL924 certified because it is an attachable emergency lighting equipment.

Specifications

Color	3000K - 6000K
Wattage	8W / 15W
Length	2-ft / 4-ft
CRI	>80
Input Voltage	AC100-277V
Light Output	960lm (2ft), 1890lm (4ft)
LED Type	SMD2835
Power Factor	>0.92
Luminous Efficiency	>120 lm/W
Emergency Time	90 minutes
Light Output on Battery	420 lm at 3.5W
Battery Operating Temperature	50°F ~ 110°F
Rated Hours	50,000 hours
Warranty	5-year *

* The 5-year warranty is provided under the assumption of performing no more than two 90-min battery discharge tests annually over five years. The warranty is void if performing more than ten 90-min battery discharge tests in five years.

Wiring Diagram



* No Aleddra Emergency tubes can be used with an emergency or standard ballasts. The existing ballasts must be removed or by-passed.

- Red-labeled endcap wired L & N to a constant-on circuit for charging the battery.
- White endcap wired L & N to a switched circuit for turning on/off the lamp.

Description

Aleddra's Gen4 Emergency T8 lamp sets another industry standard as the first fully automatic self-testing/self-diagnosis T8. The lamp operates as an energy-efficient T8 during normal operation and can be turned on/off via a wall switch. During power outage, it will last over 90 minutes on battery. More importantly, the lamp will automatically self-test for 30 seconds monthly and for 90 minutes annually, thus meeting the emergency lighting audit requirements with no labor cost. This saves a facility management team a tremendous amount of labor from manually testing every single lamp of this kind in its facilities. Should any malfunction be detected during self-testing, such as insufficient battery capacity, the warning indicator on the lamp will flash and alert the team.

Ordering Information

Product Model #	Wattage	Color	length
LLT-2-EM-T8-G4-8W-40K	8W	4000K	2ft
LLT-2-EM-T8-G4-8W-50K	8W	5000K	2ft
LLT-4-EM-T8-G4-15W-30K	15W	3000K	4ft
LLT-4-EM-T8-G4-15W-35K	15W	3500K	4ft
LLT-4-EM-T8-G4-15W-40K	15W	4000K	4ft
LLT-4-EM-T8-G4-15W-50K	15W	5000K	4ft
LLT-4-EM-T8-G4-15W-60K	15W	6000K	4ft

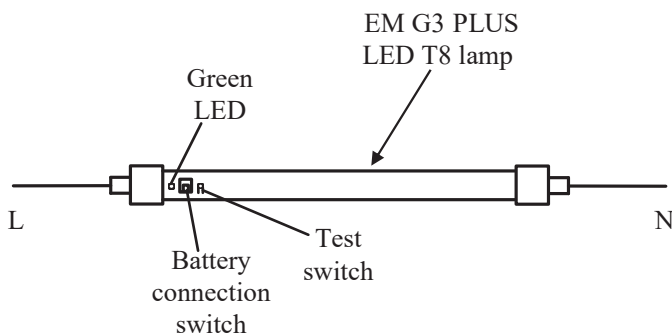
G3 Plus Emergency T8 (For Always-On Applications) **ALEDDRA**



Specifications

Color Temperature	3500K, 4000K, 5000K
Wattage	8W (2ft) / 15W (4ft)
Length	2ft / 4ft
CRI	>80
Input Voltage	AC120-277V
Light Output	960lm (2ft), 1800 lm (4ft)
LED Type	SMD2835
Power Factor	>0.92
Luminous Efficiency	>120lm/W
Battery Backup Time	90 minutes
Battery Operating Temperature	68°F to 104°F
Light Output When on Battery	420 lm at 3.5W
Rated Hours	50,000 hours
Warranty	5-year *

Wiring Diagram



Features

- 2-in-1 tube: regular T8 tube with backup battery
- Built-in lithium batteries
- Fully automatic self-testing: 30-second test monthly and 90-minute test annually
- Fully automatic self-diagnosis with flashing indicator if the battery time drops below 90 minutes
- Easy battery shutoff switch for a long stocking time
- Anti-electric shock safety switches - patented
- Manual testing button
- Patented (for details, please click [here.](#))

Product Compliance & Certifications:

- ETL certified for Type B (ballast bypass)
- 90 minutes battery time per industry standard

* The Emergency Tube meets the performance requirements of UL924 but not UL924 certified because it is an attachable emergency lighting equipment.

Description

Aleddra's G3 Plus Emergency LED T8 Tube is a 2-in-1 tube that can be used as a regular T8 lamp and automatically draws power from its built-in battery and lasts more than 90 minutes on battery at 420lm. It is double-end wired on line voltage (ballast bypass). It is required to operate on an always-on circuit in order to keep the battery charged at all time. It comes with dual safety switches on both end caps. More importantly, the lamp will automatically self-test for 30 seconds monthly and for 90 minutes annually, thus meeting the emergency lighting audit requirements with no labor cost. Should any malfunction be detected during self-testing, such as insufficient battery capacity, the warning indicator on the lamp will flash and alert the team. With its labor saving, the lamp gives the end user the best return on investment and the best emergency lighting option.

Ordering Information

Product Model #	Wattage	Color	length
LLT-4-EM-T8-G3PLUS-15W-35K	15W	3500K	4ft
LLT-4-EM-T8-G3PLUS-15W-40K	15W	4000K	4ft
LLT-4-EM-T8-G3PLUS-15W-50K	15W	5000K	4ft
LLT-2-EM-T8-G3PLUS-8W-35K	8W	3500K	2ft
LLT-2-EM-T8-G3PLUS-8W-40K	8W	4000K	2ft
LLT-2-EM-T8-G3PLUS-8W-50K	8W	5000K	2ft

* No Aleddra Emergency tubes can be used with an emergency or standard ballasts. The existing ballasts must be removed or by-passed.

* The 5-year warranty is provided under the assumption of performing no more than two 90-min battery discharge tests annually over five years. The warranty is void if performing more than ten 90-min battery discharge tests in five years.



Specifications

Color Temperature	3000K, 3500K, 4000K, 5000K
Wattage	8W (2ft), 15W (4ft)
Length	2ft, 4ft
CRI	>80
Input Voltage	AC120-277V
Light Output	960lm (2ft), 1890lm (4ft)
LED Type	SMD2835
Power Factor	>0.92
Luminous Efficiency	>120lm/W
Battery Backup Time	90 minutes
Battery Operating Temperature	68°F to 104°F
Light Output When on Battery	420 lm at 3.5W
Rated Hours	50,000 hours
Warranty	5-year *

Features

- 2-in-1 tube: regular T8 tube with backup battery
- Built-in lithium batteries
- Easy battery shutoff switch for a long stocking time
- Anti-electric shock safety switches - patented
- Patented (for details, please click [here.](#))
- Easy to install and cost-effective
- 5-year warranty

Product Compliance & Certifications:

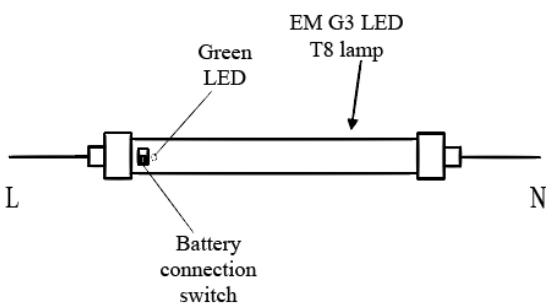
- DLC listed
- ETL certified for Type B (ballast bypass)
- 90 minutes battery time per industry standard

* The Emergency Tube meets the performance requirements of UL924 but not UL924 certified because it is an attachable emergency lighting equipment.

Description

Aleddra's G3 Emergency LED T8 Tube is a 2-in-1 tube that can be used as a regular T8 lamp and automatically draws power from its built-in battery and lasts more than 90 minutes on battery at 420lm. It is double-end wired on line voltage (ballast bypass). It comes with dual safety switches on both end caps, which had been documented by a federal agency to be the most effective means of electric shock protection for an LED T8 tube. It is a cost-effective option for many facilities such as office buildings, schools, hotels, multifamily apartments, hallways, corridors, and stairs. It is required to operate on an always-on circuit in order to keep the battery charged at all time.

Wiring Diagram



Ordering Information

Product Model #	Wattage	Color	length
LLT-2-EM-T8-G3-8W-40K	8W	4000K	2ft
LLT-2-EM-T8-G3-8W-50K	8W	5000K	2ft
LLT-4-EM-T8-G3-15W-30K	15W	3000K	4ft
LLT-4-EM-T8-G3-15W-35K	15W	3500K	4ft
LLT-4-EM-T8-G3-15W-40K	15W	4000K	4ft
LLT-4-EM-T8-G3-15W-50K	15W	5000K	4ft

* No Aleddra Emergency tubes can be used with an emergency or standard ballasts. The existing ballasts must be removed or by-passed.

* The 5-year warranty is provided under the assumption of performing no more than two 90-min battery discharge tests annually over five years. The warranty is void if performing more than ten 90-min battery discharge tests in five years.



Specifications

Color	4000K / 5000K (other color made to order)
Wattage	22W
Length	4-ft
CRI	>80
Input Voltage	AC100-277V
Light Output	2900 lm
LED Type	SMD2835
Power Factor	>0.92
Luminous Efficiency	>120 lm/W
Emergency Time	90 minutes
Light Output on Battery	420 lm at 3.5W
Battery Operating Temperature	50°F ~ 110°F
Rated Hours	50,000 hours
Warranty	5-year *

* The 5-year warranty is provided under the assumption of performing no more than two 90-min battery discharge tests annually over five years. The warranty is void if performing more than ten 90-min battery discharge tests in five years.

Ordering Information

Product Model #	Wattage	Color	length
LLT-4-EM-T5-G4-22W-40K	22W	4000K	4ft
LLT-4-EM-T5-G4-22W-50K	22W	5000K	4ft

Features

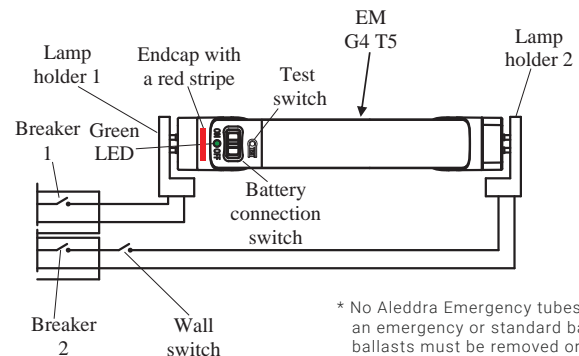
- 2-in-1 tube: regular T5 lighting and emergency lighting
- Fully automatic self-testing: 30-second test monthly and 90-minute test annually
- Fully automatic self-diagnosis with flashing indicator if the battery time drops below 90 minutes
- Manual testing button
- Built-in lithium batteries
- Controllable by wall switch
- Easy battery shutoff switch for a long stocking time
- Patented (for details, please click [here.](#))

Product Compliance & Certifications:

- ETL certified for Type B (ballast bypass)
- DLC 5.1 Listed
- 90 minutes battery time per industry standard

* The Emergency Tube meets the performance requirements of UL924 but not UL924 certified because it is an attachable emergency lighting equipment.

Wiring Diagram



* No Aleddra Emergency tubes can be used with an emergency or standard ballasts. The existing ballasts must be removed or by-passed.

- Red-labeled endcap wired L & N to a constant-on circuit for charging the battery.
- White endcap wired L & N to a switched circuit for turning on/off the lamp.

Description

Aleddra's Gen4 Emergency T5 lamp sets another industry standard as the first fully automatic self-testing/self-diagnosis T5. The lamp operates as an energy-efficient T5 during normal operation and can be turned on/off via a wall switch. During power outage, it will last over 90 minutes on battery. More importantly, the lamp will automatically self-test for 30 seconds monthly and for 90 minutes annually, thus meeting the emergency lighting audit requirements with no labor cost. This saves a facility management team a tremendous amount of labor from manually testing every single lamp of this kind in its facilities. Should any malfunction be detected during self-testing, such as insufficient battery capacity, the warning indicator on the lamp will flash and alert the team.



Features

- Automatic Battery Testing: 30 second test monthly and 90 minute test annually
- Emergency Operation: 90 minutes
- Constant power output on emergency mode
- Malfunction indicator
- 2-in-1 waterproof LED test switch and indicator light included
- Indoor applications only
- External Installation: Install outside the fixtures

Product Compliance & Certifications:

- UL Listed
- 90 minutes battery time per industry standard

Specifications

Input Voltage	100~277Vac/347Vac
Emergency Power	15W / 25W / 40W
Recharge Time	24 hours
Emergency Operation	90 minutes
Battery Type	Lithium
Ambient Temperature	32°F - 122°F
Weight	2.66 lbs
Warranty	5-year

Description

Aleddra introduces Emergency Battery Pack (EMA Series) for LED lamps and indoor fixtures. It provides 15W/25W/40W emergency power for a minimum of 90 minutes emergency operation. During power outage, the emergency battery pack automatically draws power from its built-in battery and lasts more than 90 minutes on battery. With its price point, this Emergency Battery Pack is the most cost-effective emergency lighting option for office, classroom, hotel lobby, hallway and more. It features a simple external installation.

Dimensions:

Length: 12.32"
 Width: 2.32"
 Height: 1.5"
 Flexible Conduit: 13"

Ordering Information

Product Model #	Emergency Power	Input Voltage	Output Voltage	Application (Wattage Range of LED Lamps/Fixtures)
AL-EMA-15FY-170	15W	100-277V	170VDC	Non-dimmable: 5-15W; 0-10V dimmable: 15-80W
AL-EMA-25FY-170	25W	100-277V	170VDC	Non-dimmable: 15-25W; 0-10V dimmable: 50-150W
AL-EMA-40FY-170	40W	100-277V	170VDC	Non-dimmable: 25-40W; 0-10V dimmable: 80-300W

* 347VAC model is made-to-order

** The wattage of the non-dimmable LED lamp/fixture must be less than that of the EMA wattage rating.



Features

- Glass tube with shatter-proof PET coating
- Anti-arcing technology - patented
- Anti-electric shock safety switches - patented
- UL certified for Type A operation with ballast (OOLV #E479597)
- UL certified for Type B operation with line voltage (IFAR #325073)
- Double-end wired on AC (reduces retrofit labor cost by 50%)
- Works with shunted and non-shunted sockets (no need to replace sockets)
- Flicker-free universal driver (110V-277V)

Specifications

Size	4-ft
Lens Type	Diffused
Ballast	Instant Start
Efficacy	≥ 135 lm/w
Color	3000K, 3500K 4000K, 5000K, 6000K
CRI	> 80
Input Voltage	110V-277V (50-60Hz)
Operating Temp.	-20°F to 122°F
Power Consumption	12W*, 15W*
Beam Angle	330°
Warranty	5-year warranty/50,000 hours

* Power consumption rating on AC only; when using with high ballast-factor ballast, there is additional 2.5W consumption per lamp due to ballast load.

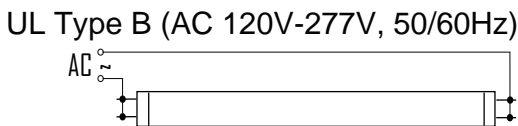
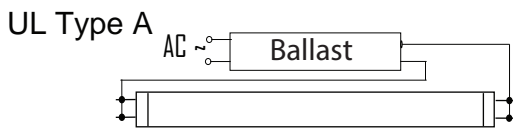
Product Compliance & Certifications:

- UL Type A listed (OOLV/OOLV7 #E479597)
- UL Type B classified (IFAR/IFAR7 #E325073)
- NSF certified
- DLC

Description

Aleddra is pushing the technology envelope of LED retrofit tubes once again with its new G6 (Generation 6) dual-mode SureFit® LED T8 retrofit tube. The G6 full-glass T8 tube comes with dual safety switches on both end caps, which had been documented by a federal agency to be the most effective means of electric shock protection for an LED T8 tube. The G6 tube also incorporates a patented technology that prevents internal arcing, while minimizing the risk of external arcing when used with a ballast. The shatter-proof coating that has been applied to the G6 tube, adds an additional layer of protection against breakage for both the installer and the end user. Like the previous model, the G6 tube is both Type A / Type B with two UL certificates, one for ballast operation and the other for line voltage operation.

Wiring Diagram



* This lamp cannot be used with emergency ballast.

Ordering Information

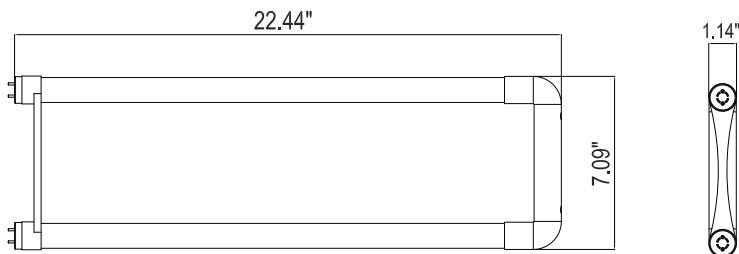
Model #	Size	Wattage	Lumen	Color
LLT-4-G-T8-12W-DBA-30K	4-ft	12W	1750lm	3000K
LLT-4-G-T8-12W-DBA-35K	4-ft	12W	1775lm	3500K
LLT-4-G-T8-12W-DBA-40K	4-ft	12W	1800lm	4000K
LLT-4-G-T8-12W-DBA-50K	4-ft	12W	1900lm	5000K
LLT-4-G-T8-15W-DBA-30K	4-ft	15W	2100lm	3000K
LLT-4-G-T8-15W-DBA-35K	4-ft	15W	2100lm	3500K
LLT-4-G-T8-15W-DBA-40K	4-ft	15W	2100lm	4000K
LLT-4-G-T8-15W-DBA-50K	4-ft	15W	2100lm	5000K
LLT-4-G-T8-15W-DBA-60K	4-ft	15W	2100lm	6000K



Specifications

Lens Type	Frosted
Efficacy	≥ 110 LPW
Color	3500K / 4000K
CRI	> 80
Input Voltage	100V-277V (50-60Hz)
Operating Temp.	-20°F-122°F
Power	15W
Light Output	1650lm
Beam Angle	140°
Ballast	Instant Start / Programmed Start
Rated Life	up to 50,000 hours
Warranty	5-year warranty

Dimensions:



Ordering Information

Product #	Lens	Color Temperature
TPUSHT8X2NLA15WB-F-35K	Frosted	3500K
TPUSHT8X2NLA15WB-F-40K	Frosted	4000K

Features

- UL OOLV certified for plug and play, and UL IFAR certified for direct wire
- Fits all standard 2'x2' U-bend troffers and sockets
- Works with Instant Start and Programmed Start ballasts, as well as AC-in line voltage from 100V-277V
- Double-end wired and does not require the change of the sockets within the fixture, as it supports both shunted and non-shunted tombstones (sockets)
- Field-replaceable internal driver

Product Compliance & Certifications:

- UL qualified

Description

Aleddra's SureFit® U-bend tube is a smart choice for retrofitting existing fluorescent U-bend T8's with an energy efficient replacement without taking the costly alternative of complete fixture upgrades.

Aleddra's 2-ft U-bend T8 tube has a 6" separation between the two legs and will fit all standard 2'x2' U-bend troffers and sockets.

The U-bend tube is double-end wired and does not require the change of the sockets within the fixture, as it supports both shunted and non-shunted tombstones (sockets). It works with Instant Start and Programmed Start ballasts, as well as AC-in line voltage from 100V-277V.

Using a Ballast

The SureFit® U-bend tube can directly replace the existing fluorescent U-bend without rewiring.

Using Line Voltage

The installation process is simple and straightforward.

- Bypass the ballast
- Connect line voltage directly to the sockets (hot on one end and neutral on the other)
- Insert the U-bend tube

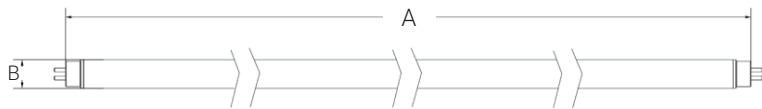




Specifications

Socket Type	G5 (standard T5 lamp socket)
Efficacy	133 LM/W
Color	4000K, 5000K
CRI	> 80
Wattage	25W
Input Voltage	120-277V
Operating Temp.	-4°F-104°F
Light Output	3200lm
Power Factor	>0.9
Rated Life	50,000 hours
Warranty	5-year

Dimensions



A: 45"
B: 0.66"

Ordering Information

Product #	Lumen	Color
PVT5-4FT-24WB-40K	3200lm	4000K
PVT5-4FT-24WB-50K	3200lm	5000K

* This lamp cannot be used with emergency ballast.

Features

- T5 glass tube
- Same look and feel of fluorescent T5
- No ballast or external driver required
- Support single-end and double-end to AC line voltage
- Suitable for existing fluorescent fixture retrofit applications
- Uses half the energy as fluorescent T5 tubes with up to 70% reduction of overall operating costs
- Shatter-proof PET coating included

Product Compliance & Certifications:

- UL
- DLC

Description

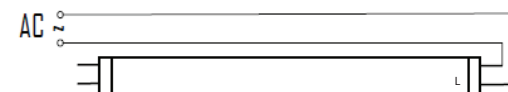
Aleddra's new Type B T5 is a ballast bypass tube that is containing standard T5 lamp socket. Compare to traditional linear T5 fluorescent lamps, our tube lasts longer and has great energy savings. It has a very wide lighting angle. It is an ideal energy saving choice for existing linear fluorescent fixtures.

Wiring Diagram

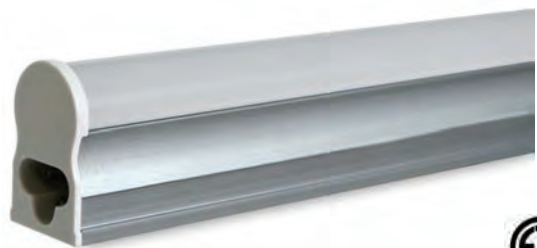
UL Type B (AC 120V-277V, 50/60Hz)



This tube will operate with either shunted or non-shunted sockets when the fixture is "double-end wire". If in the rare occasion when the tube does not light on installation, the tube will need to be turned 180 degrees and re-installed.



* For single-ended wiring, non-shunted socket is required for use with the endcap with both L & N marking.



Specifications

Input Voltage	Dimmable models: 120V only (TRIAC Dimmer) Non-dimmable models: 110-277V
Base	G5
CRI	>80
LED Type	LM80 2835
Lens Type	Frosted
Power Factor	>0.9
Color Temp.	3500K, 4000K, 5000K
Beam Angle	140°
Light Efficacy	120 LM/W
Operating Temp.	-4°F ~ +104°F
Warranty	5-year

Description

Aleddra's new T5 LED Integrated (T5N) Lamps are designed to perform efficiently in conditions where fluorescent, halogen and low voltage luminaires have traditionally been used. Our lamps incorporate integral drivers, are self-supporting, and can be surface-mounted. Individual units can be chained together, making a desirable illumination space. Instant start within one second once power on. T5N Lamps connect directly to line voltage and can be used in any interior space. Ideal for under-cabinets in kitchens, offices, schools, hospitals, grocery stores and more.

Available accessories to order separately:



Magnetic Holder

INT-M2M

INT-PC

INT-PC-SWITCH

Features

- Operates directly from line voltage
- Usable as a stand alone fixture
- Individual units can be plugged together for continuous lengths up to 30ft
- Suitable for damp locations
- Good heat dissipation
- Rated lifetime of 50,000 hrs
- DLC Listed for utility rebate
- Dimmable models support only 120V TRIAC dimmer
- Installation Kit included:



T5-EC



12" T5 Power Connector



Clip



Plastic Anchor 2pcs

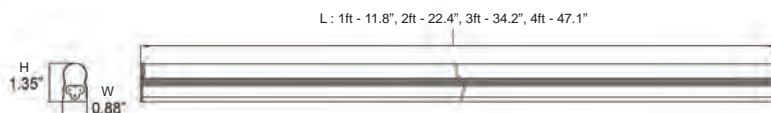


Self-tapping Screw 2 pcs

Product Compliance & Certifications:

- ETL
- DLC

Dimensions



Ordering Information

Product Model #	Wattage	Color	Lumen	Length	Dimmable
LLT-T5N-2-35K	9W	3500K	1035lm	2ft	No
LLT-T5N-2-40K	9W	4000K	1035lm	2ft	No
LLT-T5N-2-50K	9W	5000K	1035lm	2ft	No
LLT-T5N-3-35K	12W	3500K	1380lm	3ft	No
LLT-T5N-3-40K	12W	4000K	1380lm	3ft	No
LLT-T5N-3-50K	12W	5000K	1380lm	3ft	No
LLT-T5N-4-35K	16W	3500K	1840lm	4ft	No
LLT-T5N-4-40K	16W	4000K	1840lm	4ft	No
LLT-T5N-4-50K	16W	5000K	1840lm	4ft	No
LLT-T5N-1-D-35K	5W	3500K	575lm	1ft	Yes
LLT-T5N-1-D-40K	5W	4000K	575lm	1ft	Yes
LLT-T5N-1-D-50K	5W	5000K	575lm	1ft	Yes
LLT-T5N-2-D-35K	9W	3500K	1035lm	2ft	Yes
LLT-T5N-2-D-40K	9W	4000K	1035lm	2ft	Yes
LLT-T5N-2-D-50K	9W	5000K	1035lm	2ft	Yes
LLT-T5N-3-D-35K	12W	3500K	1380lm	3ft	Yes
LLT-T5N-3-D-40K	12W	4000K	1380lm	3ft	Yes
LLT-T5N-3-D-50K	12W	5000K	1380lm	3ft	Yes
LLT-T5N-4-D-35K	16W	3500K	1840lm	4ft	Yes
LLT-T5N-4-D-40K	16W	4000K	1840lm	4ft	Yes
LLT-T5N-4-D-50K	16W	5000K	1840lm	4ft	Yes

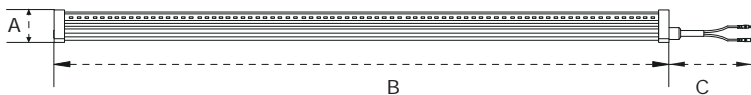
* This lamp cannot be used with emergency ballast.



Specifications

Lens Type	Clear
Driver Type	Build-in driver
Input Voltage	100V-277VAC (50-60Hz)
Efficacy	120 LM/W
Color	5000K
CRI	> 80
Operating Temp.	-4°F ~ 104°F
Power Factor	> .90
Beam Angle	180°
Warranty	5-year

Dimensions



XSYP-CLP22L1250 model, A: 1.65" B: 47.24" C: 33.46"
 XSYP-CLP25L1250 model, A: 1.65" B: 59" C: 33.46"
 XSYP-CLP30L1250 model, A: 1.65" B: 70.86" C: 33.46"

Ordering Information

Product #	Length	Wattage	Lumen	Color
XSYP-CLP22L1250	4-ft	22W	2640lm	5000K
XSYP-CLP25L1550	5-ft	25W	3000lm	5000K
XSYP-CLP30L1850	6-ft	30W	3600lm	5000K

Features

- Daisy-chain installation , can be connected up to 10pcs (up to 200 watts in a series)
- Build-in driver
- Housing: Aluminum + PC cover
- LED alternative for refrigerator lighting
- Includes male/female joint cable and installation accessories

4-ft:



5-ft & 6-ft:



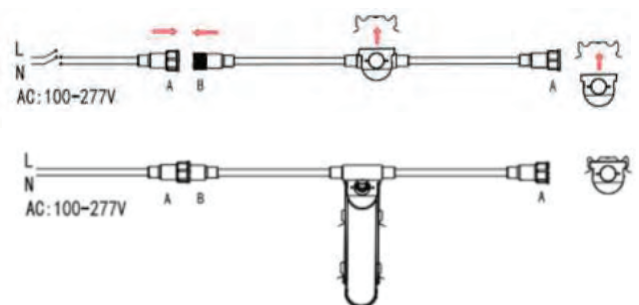
Product Compliance & Certifications:

- cETLus
- DLC

Description

Aleddra, with its strong industry reputation with the EasiRetrofit® LED tube for T12/T8 replacements, is now offering an LED alternative for refrigerator lighting. This Cooler Tube is designed with a 180 degree beam angle, meeting the needs of merchandise lighting on both sides of the LED light, while maintaining a high efficacy at 120 lm/w and a power factor 0.90. National groceries, supermarkets and convenience stores are the perfect target customer for the Cooler Tube. It is used in coolers, freezers and refrigerators.

Daisy-Chain Wiring Diagram





Specifications

Efficacy	120 LPW
Socket Type	E26, GU24, G24D-3 (diagonal 2-pin), GX23-2 (2-pin), G24Q (4-pin)
Color	2700K, 3000K, 3500K, 4000K, 5000K
CRI	> 80
Input Voltage	110V-277V
Operating Temp.	-20°F to 122°F
Wattage	6W, 11W
Beam Angle	360°

Ordering Information (G24D-3/GX23-2/G24Q)

Model #	Socket	Lumen	Wattage	Replace CFL Wattage	Color
APL-6-D-GX23-2-27K (G24D-3)	G24D-3	750lm	6W	13W	2700K
APL-6-D-GX23-2-30K (G24D-3)	G24D-3	750lm	6W	13W	3000K
APL-6-D-GX23-2-35K (G24D-3)	G24D-3	750lm	6W	13W	3500K
APL-6-D-GX23-2-40K (G24D-3)	G24D-3	750lm	6W	13W	4000K
APL-6-D-GX23-2-50K (G24D-3)	G24D-3	750lm	6W	13W	5000K
APL-6-D-GX23-2-27K	GX23-2	790lm	6W	13W	2700K
APL-6-D-GX23-2-30K	GX23-2	790lm	6W	13W	3000K
APL-6-D-GX23-2-35K	GX23-2	790lm	6W	13W	3500K
APL-6-D-GX23-2-40K	GX23-2	790lm	6W	13W	4000K
APL-6-D-GX23-2-50K	GX23-2	790lm	6W	13W	5000K
APL-11-D-GX23-2-27K	GX23-2	1240lm	11W	26W	2700K
APL-11-D-GX23-2-30K	GX23-2	1240lm	11W	26W	3000K
APL-11-D-GX23-2-35K	GX23-2	1240lm	11W	26W	3500K
APL-11-D-GX23-2-40K	GX23-2	1240lm	11W	26W	4000K
APL-11-D-GX23-2-50K	GX23-2	1240lm	11W	26W	5000K
APL-6-D-G24Q-27K	G24Q	790lm	6W	13W	2700K
APL-6-D-G24Q-30K	G24Q	790lm	6W	13W	3000K
APL-6-D-G24Q-35K	G24Q	790lm	6W	13W	3500K
APL-6-D-G24Q-40K	G24Q	790lm	6W	13W	4000K
APL-6-D-G24Q-50K	G24Q	790lm	6W	13W	5000K
APL-11-D-G24Q-27K	G24Q	1240lm	11W	26W	2700K
APL-11-D-G24Q-30K	G24Q	1240lm	11W	26W	3000K
APL-11-D-G24Q-35K	G24Q	1240lm	11W	26W	3500K
APL-11-D-G24Q-40K	G24Q	1240lm	11W	26W	4000K
APL-11-D-G24Q-50K	G24Q	1240lm	11W	26W	5000K

Features

- 50% energy saving and 75% maintenance reduction
- Cost-effective
- Rated for enclosed fixture
- GX23-2 & G24Q bases are dual-mode: ballast-compatible and line voltage friendly
- E26 & GU24 bases are line voltage friendly
- Can be installed horizontally or vertically with the same beam spread as traditional lamps
- 5-year warranty / Rated 50,000 hours lifetime

Product Compliance & Certifications:

- UL and cUL Type A/Type B listed (OOLV/OOLV7.E479597)
- UL and cUL classified (IFAR/IFAR7.E325073)

Description

Aleddra's LED PL Replacement Lamp offers the first 360-degree LED PL lamp with 100 lm/w efficacy. Unlike other LED PL lamps on the market today, this revolutionary lamp can be installed either vertically or horizontally with the same beam spread as traditional lamps.

Size:

6W: 1 3/8"W x 1 3/8"L x 4.5"H
(top to socket edge, not including the in-socket length)

11W: 1 3/8"W x 1 3/8"L x 6.1"H
(top to socket edge, not including the in-socket length)

Ordering Information (E26/GU24)

Model #	Socket	Lumen	Wattage	Replace CFL Wattage	Color
APL-6-A-E26-27K	E26	790lm	6W	13W	2700K
APL-6-A-E26-30K	E26	790lm	6W	13W	3000K
APL-6-A-E26-35K	E26	790lm	6W	13W	3500K
APL-6-A-E26-40K	E26	790lm	6W	13W	4000K
APL-6-A-E26-50K	E26	790lm	6W	13W	5000K
APL-11-A-E26-27K	E26	1240lm	11W	26W	2700K
APL-11-A-E26-30K	E26	1240lm	11W	26W	3000K
APL-11-A-E26-35K	E26	1240lm	11W	26W	3500K
APL-11-A-E26-40K	E26	1240lm	11W	26W	4000K
APL-11-A-E26-50K	E26	1240lm	11W	26W	5000K
APL-6-A-GU24-27K	GU24	790lm	6W	13W	2700K
APL-6-A-GU24-30K	GU24	790lm	6W	13W	3000K
APL-6-A-GU24-35K	GU24	790lm	6W	13W	3500K
APL-6-A-GU24-40K	GU24	790lm	6W	13W	4000K
APL-6-A-GU24-50K	GU24	790lm	6W	13W	5000K
APL-11-A-GU24-27K	GU24	1240lm	11W	26W	2700K
APL-11-A-GU24-30K	GU24	1240lm	11W	26W	3000K
APL-11-A-GU24-35K	GU24	1240lm	11W	26W	3500K
APL-11-A-GU24-40K	GU24	1240lm	11W	26W	4000K
APL-11-A-GU24-50K	GU24	1240lm	11W	26W	5000K

* The 6W PL lamp should be used with no higher than a 13W ballast.

* The 11W PL lamp should be used with no higher than a 26W ballast.

* This lamp cannot be used with emergency ballast.



Features

- AC friendly (ballast must be bypassed)
- Compact design and half the weight of LED Corn Light
- Up to 80% energy savings!
- Cost-effective HID/MH replacement
- Mounting style: Base-up (BU), Horizontal or Base-Down (BD)
- 22W & 30W may be used with enclosed fixture with sufficient housing space
- 50W & 80W not recommended for enclosed fixture
- For indoor open fixtures only

Specifications

Efficacy	>95 LPW
Socket Type	E26, E39, G24Q (22W only)
Color	3000K, 4000K, 5000K
CRI	> 80 (>90 optional)
Input Voltage	110V-277V (bypassing ballast)
Operating Temp.	-20°F to 122°F
Wattage	22W, 30W, 50W, 80W
Beam Angle	360°
Rated Life	50,000 hours
Warranty	5-year warranty

* This lamp cannot be used with emergency ballast.

Product Compliance & Certifications:

- cULus Listed
- DLC 4.0 (E39 base)
- LDL (E26 base)

Description

Aleddra's CF-LED® U-Lamp (Corn Light Replacement) is the most cost-effective retrofit option for HID lamp with up to 80% energy savings. Compared to LED Corn Light, it is superior in two aspects: half of the weight and smaller in size, which makes it a preferred option for enclosed HID fixtures.

This lamp operates with 110 to 277V AC line voltage without any ballast. Available in E26 and E39 (mogul base) base.

L70 > 50,000 hours.

Wattage	Diameter	Length
22W	2.28"	7.48"
30W	3.28"	9.56"
50W	3.58"	9.84"
80W	5"	11.61"

Ordering Information

Model #	Color	Wattage	Lumen	Replace HID Wattage
ALJ12-22U-830-G24Q	3000K	22W	2100lm	65W
ALJ12-22U-840-G24Q	4000K	22W	2100lm	65W
ALJ12-22U-850-G24Q	5000K	22W	2100lm	65W
ALJ16-22U-830-E26	3000K	22W	2100lm	65W
ALJ16-22U-840-E26	4000K	22W	2100lm	65W
ALJ16-22U-850-E26	5000K	22W	2100lm	65W
ALJ16-30U-830-E26	3000K	30W	3400lm	100W
ALJ16-30U-840-E26	4000K	30W	3400lm	100W
ALJ16-30U-850-E26	5000K	30W	3400lm	100W

Ordering Information

Model #	Color	Wattage	Lumen	Replace HID Wattage
ALJ16-50U-830-E26	3000K	50W	5000lm	175W
ALJ16-50U-840-E26	4000K	50W	5000lm	175W
ALJ16-50U-850-E26	5000K	50W	5000lm	175W
ALJ16-50U-830-E39	3000K	50W	5000lm	175W
ALJ16-50U-840-E39	4000K	50W	5000lm	175W
ALJ16-50U-850-E39	5000K	50W	5000lm	175W
ALJ16-80U-830-E39	3000K	80W	7500lm	250W
ALJ16-80U-840-E39	4000K	80W	7500lm	250W
ALJ16-80U-850-E39	5000K	80W	7500lm	250W



Features

- 50% energy saving and 75% maintenance reduction
- Cost-effective
- Rated for enclosed fixture
- Adjustable beam angle up to 90 degree
- Extensible arm for adjusting lamp position in the fixture
- Ballast-compatible and line voltage friendly
- Can be installed horizontally or vertically with the same beam spread as traditional lamps
- Rated 50,000 hours lifetime

Specifications

Wattage	6W, 9W
Socket Type	G24Q (4-pin), GX23-2
Color	3000K, 4000K, 5000K
CRI	> 80
Input Voltage	120V-277V
Light Output	6W: 700lm, 9W: 1000lm
Operating Temp.	-20°F to 122°F
Size (D x H)	6W: 2.55"x5.5" 9W: 2.55"x5.5"
Rated Life	50,000 hours
Warranty	5-year

Product Compliance & Certifications:

- UL and cUL Type A/Type B listed (OOLV/OOLV7.E479597)
- UL and cUL classified (IFAR/IFAR7.E325073)
- IES Progress Report 2019 Selection

Description

Aleddra's new SureFit® PLC lamps are long-lasting and energy efficient replacements for PL lamps with 4-pin G24Q and GX23-2 bases without any fixture re-wiring. Unlike other LED PL lamps on the market today, this revolutionary lamp can be installed either vertically or horizontally. With the adjustable 90° angle and adjustable arm, it provides easy adjustment for different lighting direction and allows you to set the location of the top light. Great for general purpose and task lighting for residential or commercial applications.

Ordering Information

Model #	Socket	Lumen	Wattage	Replace PL Wattage	Color
APLC18-D-6-830-G24Q	G24Q	700lm	6W	18W	3000K
APLC18-D-6-840-G24Q	G24Q	700lm	6W	18W	4000K
APLC18-D-6-850-G24Q	G24Q	700lm	6W	18W	5000K
APLC18-D-6-830-GX23-2	GX23-2	700lm	6W	18W	3000K
APLC18-D-6-840-GX23-2	GX23-2	700lm	6W	18W	4000K
APLC18-D-6-850-GX23-2	GX23-2	700lm	6W	18W	5000K
APLC26-D-9-830-G24Q	G24Q	1000lm	9W	26W	3000K
APLC26-D-9-840-G24Q	G24Q	1000lm	9W	26W	4000K
APLC26-D-9-850-G24Q	G24Q	1000lm	9W	26W	5000K
APLC26-D-9-830-GX23-2	GX23-2	1000lm	9W	26W	3000K
APLC26-D-9-840-GX23-2	GX23-2	1000lm	9W	26W	4000K
APLC26-D-9-850-GX23-2	GX23-2	1000lm	9W	26W	5000K

* The 6W PLC Lamp should be used with no higher than a 13W ballast.

* The 9W PLC Lamp should be used with no higher than a 26W ballast.

* This lamp cannot be used with emergency ballast.



Specifications

Wattage	6W (5W for LED)
Input Voltage	100-240VAC at 50/60Hz
Color	2700K/4000K/5000K
Light Output	800lm
CRI	> 80
Power Factor	0.5
Noise Level	37dB
Light Output	3200lm
Cover Area	100 sq. ft.
Air Flow	29CFM
Operating Temp.	20°F ~ 122°F
Dimensions	Ø4.7" x 12.5"
Warranty	5-year

Ordering Information

Product

VP-DSKTOP-CIR-G1-V1

Features

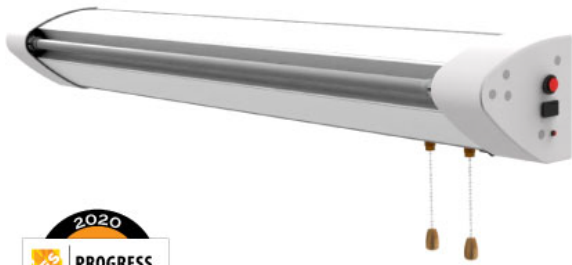
- 99.5% removal rate on H1N1 influenza virus in an hour in a test chamber
- Air-permeable lampshade with high density photocatalyst coating
- Color-tuning setting (2700K, 4000K, 5000K)
- Adjustable brightness levels – 50% or 100%
- Built-in USB charging ports
- 2 level of fan speeds for easy maintenance and high air-purification efficiency
- Completely UV-free and no health hazard

Product Compliance & Certifications:

- IES Progress Report 2019 Selection
- 2021 LED Magazine Annual Sapphire Awards
- EPA Est. No. 99106-CHN-1

Description

Aleddra's award-winning UV-Free AirGuardian™ Table Lamp features the use of a patented high-density photocatalyst material that can be activated by the white LEDs inside the lamp. It achieves 99.5% effective kill rate against H1N1 influenza virus without using any UV wavelength for up to 100 square-foot area in 60 minutes.* This lamp also features color-tuning capability which can help adjust user body's circadian clock. With 3 color modes and 2 brightness levels, you can always get most suitable light color according to different uses. This Table Lamp also comes with two easy access USB ports so that users can charge their mobile phone, tablet and other electronic devices. It provides excellent lighting and better air for anyone, anywhere without any health hazard.



Features

- 2-in-1 UVC Lighting & Circadian Lighting
- Easy UVC surface disinfection (labor free): kill 99.99% MRSA over 10 minutes at 4-ft distance
- Built-in triple safety mechanisms:
 - safety UVC light On/Off switch
 - flashing red indicator LED light
 - siren alarm
- 3ft UVC T5 Tube for UVC Lighting Operation
- Comes with upper light and lower light
- Exam mode can increase the light output to 3000 lumen

Product Compliance & Certifications:

- ETL Listed
- IES Progress Report 2020 Selection

Specifications

Power Consumption

Max. Consumption: 95W
 Regular Mode: Up Light: 20W, Down Light: 20W
 Exam Mode: Up Light: 32.5W, Down Light: 32.5W
 UV Light: 30W

Light Output

Regular Mode: Up Light: 2000lm, Down Light: 2000lm
 Exam Mode: Up Light: 3000lm, Down Light: 3000lm

Color Temperature 2700K, 4350K and 6000K

CRI >80

Power Factor >0.9

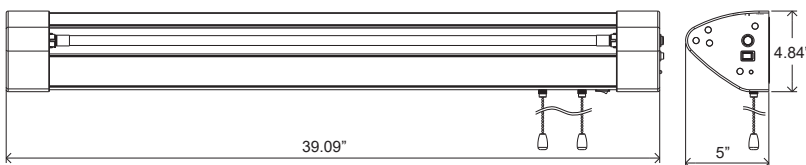
Input Voltage 120V-277V

Operating Temp. -20°F to 122°F

Warranty Fixture: 5-year;
 UVC Tube: 1-Year

Suggested Applicable Space 100 Sq. Ft.

Dimensions:



Description

Aleddra's EzUVC™ Overbed Light combines UVC Lighting and Circadian Lighting in one aesthetic design. It uses 3ft UVC (254nm) T5 tube for effective reduction of certain commonly seen infectious bacteria in hospitals. Third party test shows 99.99% kill rate against MRSA bacteria in 10 minutes. It provides triple safety mechanisms during UVC lighting operation: flashing warning light, siren alarm, and motion sensor which would suspend UVC lighting operation upon motion detection. More advantageously, the fixture offers blue-enriched light to stimulate biological activity during daytime and blue-depleted light to calm down biological activity at night. This can be particularly beneficial for those who suffer from Seasonable Affective Disorder, Post Traumatic Stress Disorder, Dementia, sleep disorders, jet lag as well as anyone who would benefit from additional circadian lighting. This fixture is ideal for use in hospitals, senior living communities and assisted living facilities.

Ordering Information

Model #	Weight
AL-CLASSIC-OVERBED-UV-95W	4KG

* This product is not intended to be used as a medical device.
 **The UVC light emits high-power UV radiation that can cause severe injury to skin and eyes. Avoid direct skin exposure to UVC radiation and never look directly into a UVC light source, even briefly. NO ONE can be in treatment area when the UV light is on.

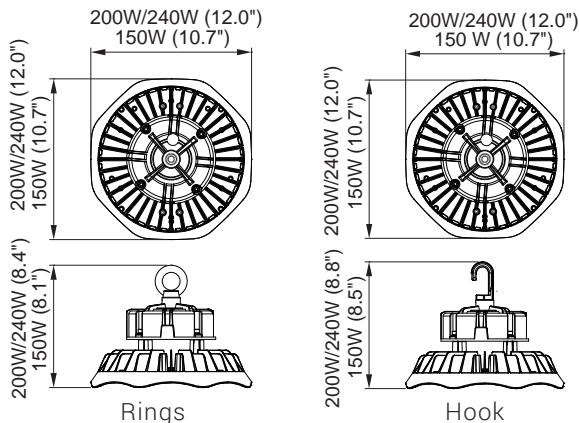


Specifications

Lamp Bead Model	2835
Efficacy	130LM/W
Wattage	150W / 200W / 240W
Color	5000K*
CRI	> 80
Power Factor	> 0.93
Input Voltage	AC100-277V
Operating Temp.	-40°F ~ 113°F
Dimming	1-10V dimmable
IP Rating	IP65
Beam Angle	110°
Warranty	5-year

*Other color temperatures are available made-to-order

Dimensions



Features

- Saves up to 70% energy as compared to existing highbay fixtures
- Stylish and modern design and a lower profile
- Designed for indoor lowbay or highbay application
- IP65 rated for dry, damp and wet locations
- Rated life: 50,000 hours
- Microwave motion sensor optional
- Daylight sensor optional
- Yoke mount bracket optional
- Aluminum reflector optional
- PL reflector optional

Product Compliance & Certifications:

- UL

Description

Aleddra's UFO High Bay luminaire features a stylish design and a lower profile. It is designed for any indoor lowbay or highbay applications. It can be effectively used in many indoor applications such as warehouses, commercial facilities, exhibition halls, retail stores, schools, gymnasiums or any open ceiling design. It saves up to 70% energy as compared to the existing highbay fixtures and comes with 5-year warranty.

Ordering Information

Product #	Wattage	Light Output	Motion Sensor
UHB0715-150W-110-H-50K-Z	150W	19500LM	No
UHB0715-150W-110-H-50K-Z (MS)	150W	19500LM	Yes
UHB0720-200W-110-H-50K	200W	26000LM	No
UHB0720-200W-110-H-50K (MS)	200W	26000LM	Yes
UHB0724-240W-110-H-50K	240W	31200LM	No
UHB0724-240W-110-H-50K (MS)	240W	31200LM	Yes



Specifications

Emergency Power	25W, 40W
Emergency Time	90 minutes
Battery Type	Lithium or Ni-MH
Input Voltage	AC120-277V
Operating Temp.	41°F to 122°F
Power Factor	0.5

Description

Aleddra's UFO Emergency Battery Pack provides 25W/40W lumen output during emergency illumination for a minimum of 90 minutes. It is a cost-effective and energy-efficient option for various emergency lighting applications such as warehouses, manufacturing facilities, school gymnasiums, community centers, recreation centers, and department stores.

Ordering Information

Model #	Emergency Power	Recommended for
EMUFO-25170-TT	25W	100W and 150W UFO
EMUFO-40170-TT	40W	200W, 240W, 300W UFO

Features

- Automatic Battery Testing: 30 seconds test monthly and 90 minutes test annually
- Emergency Operation: 90 minutes
- Optimized for internal UFO fixture
- Constant power output on emergency mode
- One Piece Design with Metal Housing
- IP65 Rated
- 2-in-1 waterproof LED test switch and indicator light included
- Simple wiring
- Battery testing remote control (optional)

Product Compliance & Certifications:

- UL 924 Damp Location
- NFPA 101 (Life Safety Code)
- NFPA 70 (National Electrical Code)

Installation Kit: (included)



Hook 2pcs



Safe Wire (steel) 1pcs



Wire Endcap



Chain Link Connector 1pcs



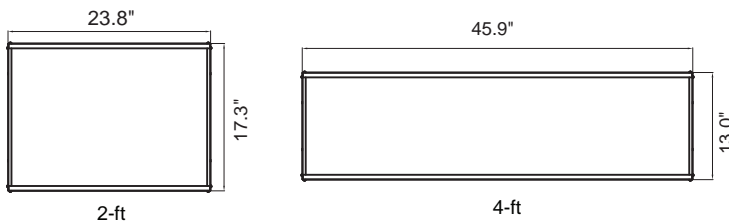
Flexible Conduit 13"



Specifications

Sizes	2-ft, 4-ft
Wattage	170W, 255W
Efficacy	136 lm/w
CRI	> 80
Color	5000K
Beam Angle	120°
Input Voltage	120/277V
Operating Temp.	-4°F~122°F
Warranty	5-year

Dimensions:



Features

- Saves up to 70% energy as compared to existing highbay fixtures
- Replaces HID metal halide and fluorescent highbay light fixtures
- 0-10V dimming
- Motion sensor optional
- Battery backup optional
- Last up to 50,000 hours of continuous use
- Designed for large commercial spaces

Product Compliance & Certifications:

- UL
- DLC

Description

Aleddra's new LED Linear Highbay provides a quick and easy solution for warehouse and industrial applications. This is the high-performance, energy-efficient and maintenance-free replacement for existing HID metal halide and fluorescent high bay light fixtures. This LED fixture helps save on energy costs and it is ideal for warehouses, retail spaces, gymnasiums and many more commercial applications.

Ordering Information

Product #	Wattage	Lumen	Size	Color Temp.
ETLB7-2/4/BLM/170/FL/850/U/AU1/F1/A3/B3/SN/EMN	170W	23120 lm	2-ft	5000K
ETLB7-4/2/BLM/170/FL/850/U/AU1/F1/A3/B3/SN/EMN	170W	23120 lm	4-ft	5000K
ETLB7-4/3/BLM/255/FL/850/U/AU1/F1/A3/B3/SN/EMN	255W	34680 lm	4-ft	5000K

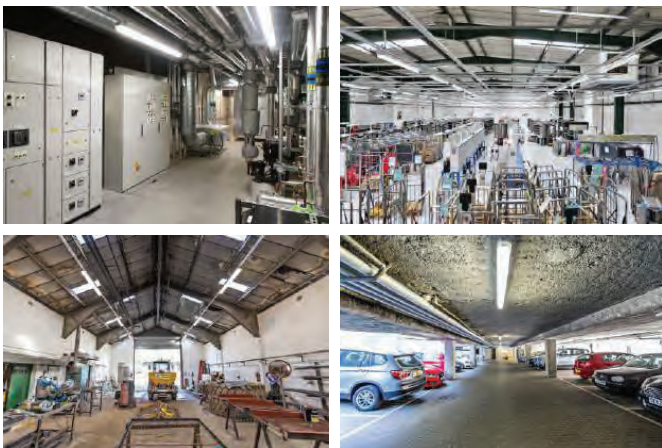
* Other colors are made to order



Specifications

Wattage	25W, 40W
Size	2ft, 4-ft
Light Efficacy	> 120lm/w
Color	5000K
Lens Cover	Frosted
CRI	> 80
Input Voltage	120-347VAC
Power Factor	>0.95
Operating Temp.	-22°F to 113°F
Rated Life	54,000 hours
Warranty	5-year warranty

Applications



Features

- IP65 waterproof rated, dust, corrosion and pressure-proof
- High Impact PC Housing (Ik08)
- No dark spots, uniform luminous surface
- Excellent heat dissipation
- Maximum efficacy and minimum glare
- Can be ceiling or suspension mounted
- Motion sensor (P/N MOTION_SENSOR_1) and emergency backup (optional)
- 5-year warranty

Product Compliance & Certifications:

- ETL
- DLC Premium

Description

Aleddra's new Tri-proof Vapor Tight is the best quality enclosure. It is a perfect solution for indoor and outdoor applications; protects lamps from dust, dirt, and humidity. Its built-in aluminum heat sink provides cooling and improves safety. This commercial fixture can be ceiling or suspension mounted. It is IP65 waterproof rated. Optional features include the Motion Sensor and the Emergency Backup. These are highly versatile fixtures that look good while saving you money.

Ordering Information

Product #	Size	Wattage	Color	Light Output
AVT-VT25W-50K (2-ft 50K)	2-ft	25W	5000K	3000 lm
AVT-VT40W-50K (4-ft 50K)	4-ft	40W	5000K	4800 lm

*Other colors made to order



Features

- Automatic Battery Testing: 30 second test monthly and 90 minute test annually
- Emergency Operation: 90 minutes
- Constant power output on emergency mode
- Malfunction indicator
- Indoor applications only
- Internal Installation: Install inside the fixtures
- Pre-installation with fixtures optional at extra cost

Product Compliance & Certifications:

- UL Listed
- 90 minutes battery time per industry standard

Specifications

Input Voltage	100~277Vac/347Vac
Emergency Power	15W / 30W
Recharge Time	24 hours
Emergency Operation	90 minutes
Battery Type	Lithium
Ambient Temperature	32°F - 122°F
Weight	0.908 lbs
Warranty	5-year

Description

Aleddra introduces Emergency Battery Pack (EMB Series) for indoor LED fixtures. It provides 15W/30W emergency power for a minimum of 90 minute emergency operation. During power outage, the emergency battery pack automatically draws power from its built-in battery and lasts more than 90 minutes on battery. With its price point, this Emergency Battery Pack is the most cost-effective emergency lighting option for indoor applications. It is installed inside the housing of the LED fixtures.

Dimensions:

Control Board Box: L 7.32" x W 1.49" x H 1"
 Battery Pack: L 7" x W 1.62" x H 0.98"

Ordering Information

Product Model #	Emergency Power	Input Voltage	Output Voltage	Application
AL-EMB-15YY-50	15W	100-277V	50VDC	Indoor LED Fixtures up to 150W
AL-EMB-30YY-50	30W	100-277V	50VDC	Indoor LED Fixtures up to 300W

*347VAC model is made-to-order



Features

- Excellent thermal management for superior system stability and longevity
- Solid state design and easy to install
- Instant start, NO flickering, NO humming
- IP65 rated
- Maximum light output and minimal energy consumption
- Energy saving and long lifespan
- 5-year warranty

Specifications

Wattage	400W, 500W, 600W, 750W 1000W, 1200W
Color Temp.	4000K, 4500K 5000K(Standard), 5700K
CRI	>70
Input Voltage	277V or 480V
Operating Temp.	-40°F to 113°F
Driver	SOSEN
Efficacy	140-155 lm/w
Dimming Control	0-10V dimming standard
Beam Angle	30° (optional: 20°/40°/60°)
Surge Protection	20KV
Warranty	5-year warranty

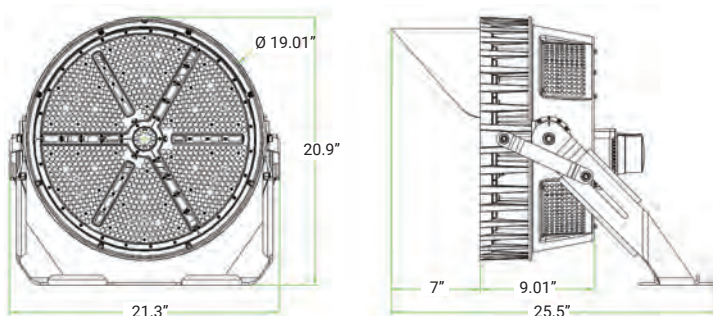
Product Compliance & Certifications:

- UL Listed
- DLC Premium Listed

Description

The G4 IP65-rated Sports Light is a cost-effective and high performance option for various applications such as arenas, stadiums, gymnasiums, airports, and more. It has rugged solid state design which means nothing to wear out or replace, providing maintenance-free operation for hundreds of thousands of hours.

Dimensions for the 600W model:



Ordering Information

Model #	Wattage	Lumen	Voltage
AST-SP04-400S1PYA1-abcdefg	400W	52000-56000LM	277V
AST-SP04-500S1CYA1-abcdefg	500W	70000-75000LM	277V
AST-SP04-600S1CYA2-abcdefg	600W	87000-93000LM	277V
AST-SP04-750S1PYA1-abcdefg	750W	101250-108750LM	277V
AST-SP04-1000S1PYA1-abcdefg	1000W	135000-145000LM	277V
AST-SP04-1200S1PYA1-abcdefg	1200W	162000-174000LM	277V
AST-SP04-400S1PYH1-abcdefg	400W	52000-56000LM	480V
AST-SP04-500S1CYH1-abcdefg	500W	70000-75000LM	480V
AST-SP04-600S1CYH2-abcdefg	600W	87000-93000LM	480V
AST-SP04-750S1PYH1-abcdefg	750W	101250-108750LM	480V
AST-SP04-1000S1PYH1-abcdefg	1000W	135000-145000LM	480V
AST-SP04-1200S1PYH1-abcdefg	1200W	162000-174000LM	480V



Features

- Compact and light weight
- Wide range of wattage from 250W to 1500W
- High power & wide beam angle
- 120 and 150 degree lens
- Cost-effective
- 5-year warranty

Product Compliance & Certifications:

- UL Listed
- DLC Listed
- IP65 Rated

Specifications

Wattage	250W, 500W, 750W, 1000W, 1250W
Color Temp.	5000K
CRI	> 70
Input Voltage	AC100-277V/240-480V
Operating Temp.	-22°F to 122°F
IP Rating	IP66
Efficacy	130~150LM/W
Power Factor	> 0.95
Beam Angle	10°/ 30°/ 60°/ 120°/ 150°*60°/ T3-VS
Rated Life	50,000 hours
Warranty	5-year warranty

Description

Aleddra's Gen2 High Power Flood Light is designed with versatility in mind. It is a good option when you need a high-power & wide-beam-angle fixture. This Flood Light can go up to 120 and 150 degree lens. It's compact and light-weight, and with a wide range for wattage, from 250W to 1250W, for all types of outdoor lighting applications.

Ordering Information

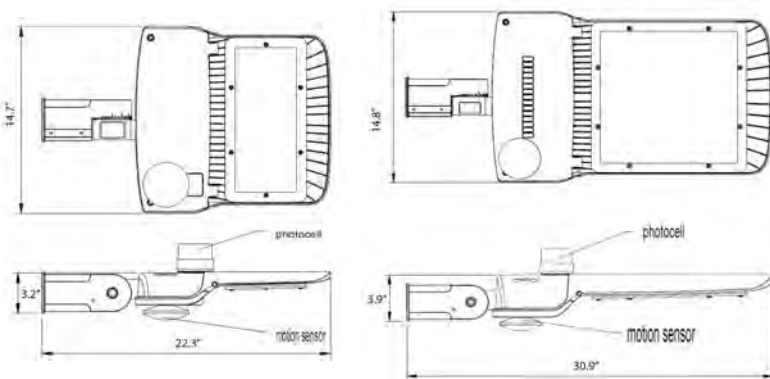
Model #	Wattage	Lumen	Dimensions
HD-FL02-250WD-D5000K (277V)	250W	32,500~37,500LM	45.1"x20"x5.36"
HD-FL02-500WD-D5000K (277V)	500W	65,000~75,000LM	45.1"x20"x5.36"
HD-FL02-750WD-D5000K (277V)	750W	97,500~112,500LM	19"x11.65"x5.3"
HD-FL02-1000WD-D5000K (277V)	1000W	130,000~150,000LM	19"x11.65"x5.3"
HD-FL02-1250WD-D5000K (277V)	1250W	162,500~187,500LM	22.2"x20"x5.36"
HD-FL02-250WD-S-D5000K (480V)	250W	32,500~37,500LM	22.2"x20"x5.36"
HD-FL02-500WD-S-D5000K (480V)	500W	65,000~75,000LM	30.1"x20"x5.36"
HD-FL02-750WD-S-D5000K (480V)	750W	97,500~112,500LM	30.1"x20"x5.36"
HD-FL02-1000WD-S-D5000K (480V)	1000W	130,000~150,000LM	38"x20"x5.36"
HD-FL02-1250WD-S-D5000K (480V)	1250W	162,500~187,500LM	38"x20"x5.36"



Specifications

Lens Type	Type III
LED Chip	Philips
Efficacy	140 lm/w
Wattage	50W - 300W
Color	5000K
CRI	>70
Input Voltage	100V-277V, 480V optional
Power Factor	>0.95
Operating Temp.	-40°F-122°F
Dimming	1-10V
Rated Life	> 54,000 hours
Material	Aluminum alloy & PC optics lens
Warranty	5-year warranty

Dimensions



Features

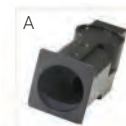
- Energy-efficient and cost-effective replacement for existing parking lot lighting luminaire
- Stylish design yields less wind drag, protective cover on the back prevents bird from nesting
- Light Distribution: Type III
- Surge protection
- Photocell and motion sensor optional
- 5-pin NEMA receptacle built-in
- IP65 wet location

Product Compliance & Certifications:

- ETL
- DLC Premium

Description

Aleddra's 4th Generation Shoebox is an energy-efficient and cost-effective replacement for existing parking lot lighting luminaires. It is ETL certified and comes with IP65 rating. A,B,C,D,E,F type mounting accessories for choice, suitable for mounting on different size round pole, square pole and wall.



For slipfitter



For small size square pole



For small size round pole



For large size square pole



For large size round pole



For wall mounts

Ordering Information

Product #	Wattage	Light Output
ASB-PLQ507-W050-P-B2-L1-Y(5000K)	50W	6500 lm
ASB-PLQ507-W075-P-B2-L1-Y(5000K)	75W	9000 lm
ASB-PLQ565-W100-P-B2-L2-Y(5000K)	100W	14000 lm
ASB-PLQ565-W150-P-B2-L2-Y(5000K)	150W	21000 lm
ASB-PLQ785-W200-P-B2-L2-Y(5000K)	200W	28000 lm
ASB-PLQ785-W300-P-B2-L2-Y(5000K)	300W	42000 lm

* Y is the mounting arm: A, B2, C2, D2, E2, F2
 * Optional: Photo Cell, Motion Sensor



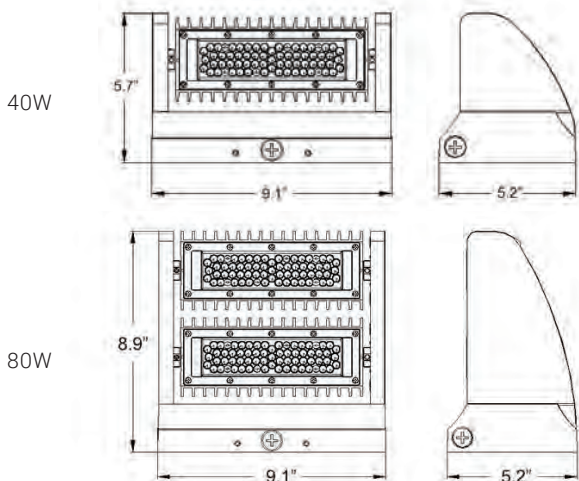
80W

40W

Specifications

Input Voltage	100-277VAC
Wattage	40W, 80W
Efficacy	>120 LPW
CRI	> 70
Power Factor	>0.9
Color Temp.	5000K
Viewing Angle	60°
Operating Temp.	-4°F~122°F
Warranty	5-year

Dimensions



Features

- IP65 Rating
- No UV or IR in the beam
- Easy to install and operate
- Energy saving and long lifespan
- Instant start, NO flickering, NO humming
- Ideal for residential/commercial applications
- Photocell / Surge protector (Optional)

Product Compliance & Certifications:

- UL
- DLC Premium

Description

Aleddra's LED R-style Wallpack is a high-performance, energy-efficient and maintenance-free solution for residential and commercial applications. This LED wallpack helps save on energy costs and it is ideal for a variety of indoor/outdoor applications, including entrances, patios, walkways, parking lots, swimming pools, landscapes, public places, retail and apartment complexes. It can be mounted on surface/facade, whether you have a new construction or upgrade application.

Ordering Information

Product #	Wattage	Lumen	Color
AWP-RWP02-40WCT1NA1-50K	40W	5200 lm	5000K
AWP-RWP02-80WCT1NA1-50K	80W	10800 lm	5000K

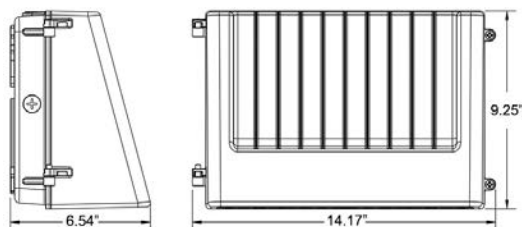


Specifications

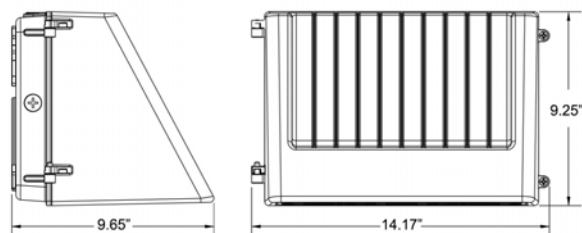
Input Voltage	100-277VAC
Wattage	40W, 60W, 100W
Efficacy	>115 LPW
CRI	> 70
Power Factor	>0.9
Color Temp.	5000K
Viewing Angle	155*95°
Operating Temp.	-4°F~122°F
Warranty	5-year

Dimensions

40W / 60W



100W



Features

- IP65 Rating
- No UV or IR in the beam
- Easy to install and operate
- Energy saving and long lifespan
- Instant start, NO flickering, NO humming
- Ideal for residential/commercial applications
- Photocell / Surge protector (Optional)

Product Compliance & Certifications:

- UL
- DLC Premium

Description

Aleddra's LED Full-cutoff Wallpack is a high-performance, energy-efficient and maintenance-free solution for residential and commercial applications. This LED wallpack helps save on energy costs and it is ideal for a variety of indoor/outdoor applications, including entrances, patios, walkways, parking lots, swimming pools, landscapes, public places, retail and apartment complexes. This LED wallpack fixture can be mounted on surface/facade, whether you have a new construction or upgrade application.

Ordering Information

Product #	Wattage	Lumen	Color
AWP-FWP01-40CT4A1-50K	40W	5200 lm	5000K
AWP-FWP01-60CT4A1-50K	60W	7800 lm	5000K
AWP-FWP01-100CT4A1-50K	100W	13500 lm	5000K



Features

- IP65 Rating
- No UV or IR in the beam
- Easy to install and operate
- Energy saving and long lifespan
- Instant start, NO flickering, NO humming
- Ideal for residential/commercial applications
- Photocell / Surge protector (Optional)

Specifications

Input Voltage	100-277VAC
Wattage	40W, 60W, 100W
Efficacy	>115 LPW
CRI	> 80
Power Factor	>0.9
Color Temp.	5000K
Viewing Angle	110°
Operating Temp.	-4°F~122°F
Warranty	5-year

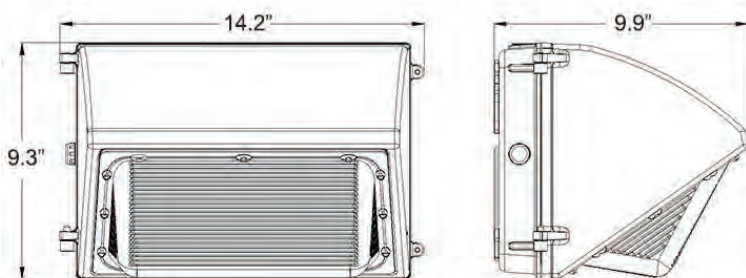
Product Compliance & Certifications:

- UL
- DLC Premium

Description

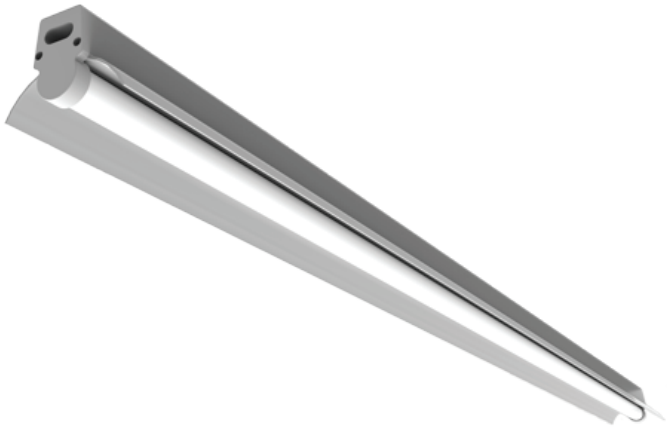
Aleddra's LED Semi-cutoff Wallpack is a high-performance, energy-efficient and maintenance-free solution for residential and commercial applications. This LED wallpack helps save on energy costs and it is ideal for a variety of indoor/outdoor applications, including entrances, patios, walkways, parking lots, swimming pools, landscapes, public places, retail and apartment complexes. This LED wallpack fixture can be mounted on surface/facade, whether you have a new construction or upgrade application.

Dimensions



Ordering Information

Product #	Wattage	Lumen	Color
AWP-SWP01-40AA1-50K	40W	5000 lm	5000K
AWP-SWP01-60AA1-50K	60W	7700 lm	5000K
AWP-SWP01-100AA1-50K	100W	13750 lm	5000K



Specifications

Color	3000K, 4000K, 5000K
Wattage	12W, 23W
Efficacy	>95lm/w
Length	2-ft: 28.4", 4-ft: 47.2"
Input Voltage	110V-277V
Power Factor	>0.9
Light Output	12W: 1200lm, 23W: 2200lm
Operating Temp.	14°F-104°F
Rated Life	up to 30,000 hours
Warranty	5-year warranty

Features

- Daisy-chainable up to 10 fixtures
- Cost-effective
- Easy installation
- Light weight
- On/off switch on the fixture
- 5-year warranty

Product Compliance & Certifications:

- ETL

Description

Aleddra EasiFit® Shop Light is perfect for any application where high quality LED lighting is required, such as workshops, garages, storage areas, and basements. The light-weight nature of this LED Shop Light allows for easy installation. It is ETL certified and comes with a 5-year warranty. This LED Light fixture will provide significant savings with regards to your operational costs.

Ordering Information

Product #	Length	Lumen	Wattage	Color
ASL-SELTF6-12W-830	28.4"	1200	12W	3000K
ASL-SELTF6-12W-840	28.4"	1200	12W	4000K
ASL-SELTF6-12W-850	28.4"	1200	12W	5000K
ASL-SELTF12-23W-830	47.2"	2200	23W	3000K
ASL-SELTF12-23W-840	47.2"	2200	23W	4000K
ASL-SELTF12-23W-850	47.2"	2200	23W	5000K



Features

- Stylish lens-less design
- Patent-pending nano-reflector for indirect lighting
- Uniform light distribution
- Free of hot-spot
- Rated for commercial installation
- Installation with or without a recess can
- 3-year warranty / 30,000 hours

Specifications

Size	5" / 7.5"
Input Voltage	110-277V
Wattage	9W, 12W
Color	30K and 40K (other color made to order)
Light Output	700 - 950 lm
CRI	> 80
Beam Angle	120°
Operating Temp.	-4 °F to 122 °F
Rated Life	30,000 hours
Warranty	3-year

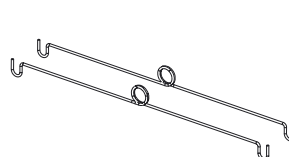
Product Compliance & Certifications:

- UL

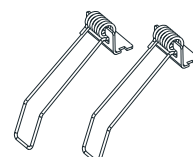
Description

Aleddra's SureFit® LED Downlight is a high performance and cost-effective option for commercial and residential ceiling lighting applications. This downlight comes with an E26 straight wire connection and mounting hardware, installation is quick and easy and does not require the help of a professional. With its superior efficacy and a longer life than compact fluorescents, it provides soft white light to create a comfortable and relaxing environment.

The downlight comes with two sets of springs. Spring A set is for installation with existing recess can, whereas Spring B set is for installation without recess can, i.e., directly to the ceiling.



Spring A



Spring B

Ordering Information

Product Model #	Color	Wattage	Light Output	Dimensions	Dimmable*
AL-SELD31US2-830-9-E26-D	30K	9W	700 lm	5" x 2.5"	Yes
AL-SELD31US2-840-9-E26-D	40K	9W	730 lm	5" x 2.5"	Yes
AL-SELD31US2-830-12-E26-D	30K	12W	910 lm	7.5" x 2.9"	Yes
AL-SELD31US2-840-12-E26-D	40K	12W	950 lm	7.5" x 2.9"	Yes
AL-SELD31US2-830-12-E26	30K	12W	910 lm	7.5" x 2.9"	No
AL-SELD31US2-840-12-E26	40K	12W	950 lm	7.5" x 2.9"	No

* Supporting 120V TRIAC dimmer only.