



Specifications

Color	4000K / 5000K (other color made to order)
Wattage	22W
Length	4-ft
CRI	>80
Input Voltage	AC100-277V
Light Output	2900 lm
LED Type	SMD2835
Power Factor	>0.92
Luminous Efficiency	>120 lm/W
Emergency Time	90 minutes
Light Output on Battery	420 lm at 3.5W
Battery Operating Temperature	50°F ~ 110°F
Rated Hours	50,000 hours
Warranty	5-year *

* The 5-year warranty is provided under the assumption of performing no more than two 90-min battery discharge tests annually over five years. The warranty is void if performing more than ten 90-min battery discharge tests in five years.

Ordering Information

Product Model #	Wattage	Color	length
LLT-4-EM-T5-G4-22W-40K	22W	4000K	4ft
LLT-4-EM-T5-G4-22W-50K	22W	5000K	4ft

Features

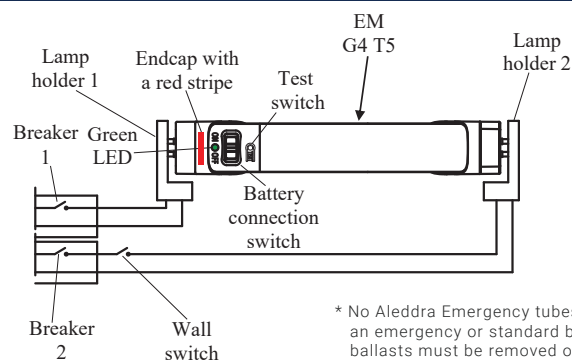
- 2-in-1 tube: regular T5 lighting and emergency lighting
- Fully automatic self-testing: 30-second test monthly and 90-minute test annually
- Fully automatic self-diagnosis with flashing indicator if the battery time drops below 90 minutes
- Manual testing button
- Built-in lithium batteries
- Controllable by wall switch
- Easy battery shutoff switch for a long stocking time
- Patented (for details, please click here.)

Product Compliance & Certifications:

- ETL certified for Type B (ballast bypass)
- DLC 5.1 Listed
- 90 minutes battery time per industry standard

* The Emergency Tube meets the performance requirements of UL924 but not UL924 certified because it is an attachable emergency lighting equipment.

Wiring Diagram



* No Aleddra Emergency tubes can be used with an emergency or standard ballasts. The existing ballasts must be removed or by-passed.

- Red-labeled endcap wired L & N to a constant-on circuit for charging the battery.
- White endcap wired L & N to a switched circuit for turning on/off the lamp.

Description

Aleddra's Gen4 Emergency T5 lamp sets another industry standard as the first fully automatic self-testing/self-diagnosis T5. The lamp operates as an energy-efficient T5 during normal operation and can be turned on/off via a wall switch. During power outage, it will last over 90 minutes on battery. More importantly, the lamp will automatically self-test for 30 seconds monthly and for 90 minutes annually, thus meeting the emergency lighting audit requirements with no labor cost. This saves a facility management team a tremendous amount of labor from manually testing every single lamp of this kind in its facilities. Should any malfunction be detected during self-testing, such as insufficient battery capacity, the warning indicator on the lamp will flash and alert the team.