

Gen4 LED Sports Light



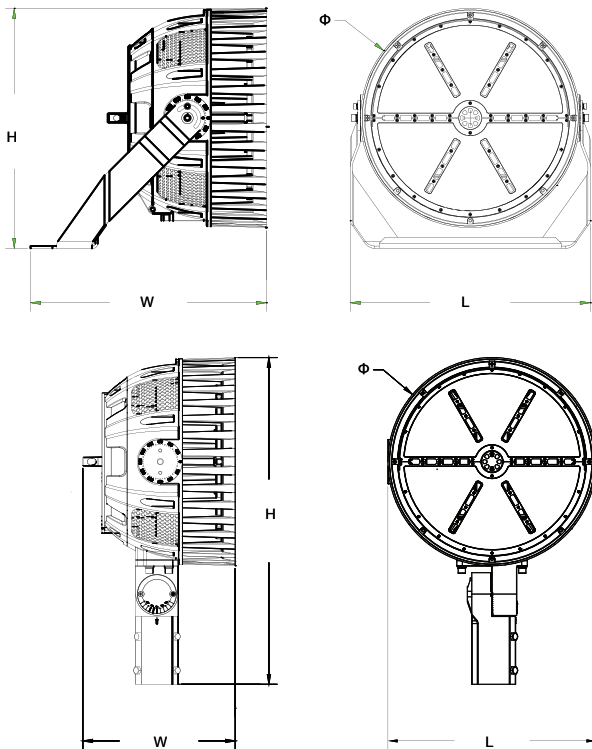
- Using 2pcs integral PC lens, with 20°, 30°, 40°, 60°, 80°, 120° lens optional;
- 0-10V dimming;
- A scale display is added to make the angle adjustment of vertical projection of led fixture easier;
- The luminous surface is recessed to block the astigmatism at the edge of the lens;
- Four different mounting methods optional;
- Hidden outlet, and it's optional to pull the wire into the driver box for wiring;
- Optional: a US standard 1/2 hose connection on the back of the fixture;
- IP65 rated driver box.



Specifications

Power(W)	Input Voltage	Delivered Lumens (lm)	Efficacy (lm/W)	CRI	Beam Angle	Available CCT	Operating Temp	IP Rating	Weight (kg)
400	120-277/277-480	52,000-58,000	130-145	Ra>70	30°、40°、80°、120°	4000K/4500K/5000K/5700K	-40° ~ 113°F	IP65	14
500		70,000-75,000	140-150	Ra>70	30°、40°、80°、120°		-40° ~ 113°F	IP65	15
600		90,000-96,000	150-160	Ra>70	20°、30°、40°、60°		-40° ~ 113°F	IP65	28
750		97,500-108,750	130-145	Ra>70	20°、30°、40°、60°		-40° ~ 113°F	IP65	29
1000		130,000-145,000	130-145	Ra>70	20°、30°、40°		-40° ~ 113°F	IP65	33
1200		156,000-174,000	130-145	Ra>70	20°、30°、40°		-40° ~ 113°F	IP65	35

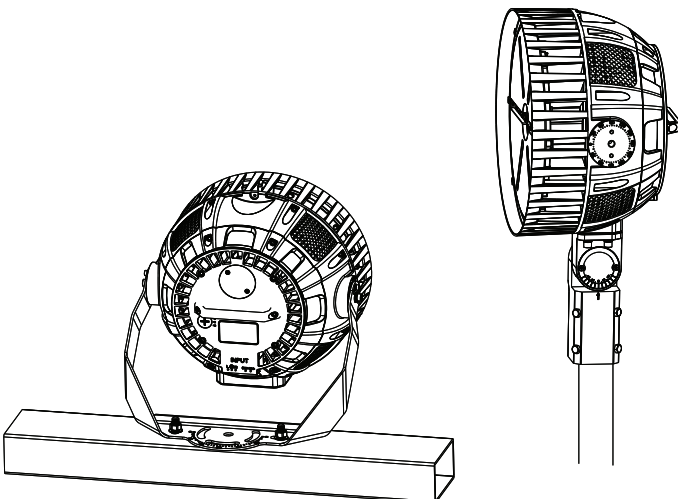
Dimension



Power(W)	L	w	H	Φ
500	16.2"	15.8"	16.1"	14.7"
750	21.3"	18.5"	21.0"	19.0"
1000	22.8"	19.7"	22.5"	20.5"

Power(W)	L	w	H	Φ
500	14.7"	10.8"	23.1"	14.7"
750	21.3"	13.0"	30.0"	19.0"
1000	22.8"	13.9"	31.3"	22.5"

Installation Diagram



Distribution Diagram

Luminous Intensity Distribution Curve

