

Aleddra™ - Your Choice for LED Lighting Solutions

Lightel Technologies, Inc. • 2210 Lind Avenue SW • Suite 100 • Renton, WA 98057 • USA • t 425.480.4555 • f 425.277.5289 •

Aleddra™ MR 16 - Jefferson Series



SPECIFICATION FEATURES

Base Type	GU 5.3
Voltage	12 VAC/DC
Consumption Power	5.0W ± 10%
Color Temperature	3000K, 4000K, 5000K
CRI	>80
Lumen Output	265 lm ± 10% @ 3000K
LED Chip	Cree XPE
Beam Angle	25° Standard ; 15° , 45° Optional
Weight	1.5 oz
Width (OD)	50 mm (1.97")
Length (MOL)	47 mm (1.85")
Operating Temperature	-20 °C to +50 °C
Dimmable	No
Body Material	Fin Aluminum/PC
Certificate	ETL ; CE; RoHS
Rated Life	Up to 50,000 Hours
Ratings	Approved for Indoor Applications
Warranty	3 Years

✦ For most updated specification, please visit www.aleddra.com.

* MR16's are not recommended for use in fixtures with "floating" power supplies. Always check for proper supplied voltage of 12 VAC/DC.

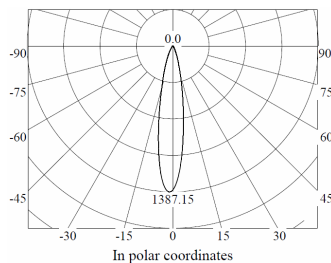
DESCRIPTION

Aleddra continues to provide quality lighting products for interior applications that require reduced wattage without sacrificing light output or color. Introducing the new "Jefferson Series" 2W3 LED's. Now available in 3000K, 4000K and 5000K, Aleddra is answering lighting designers' needs for a MR16 that will meet the demands for both energy saving and excellent luminosity. Our **Jefferson MR16** is the ideal lamp replacement for high wattage halogen lamps in hard to reach places and applications that require extended periods of lighting.

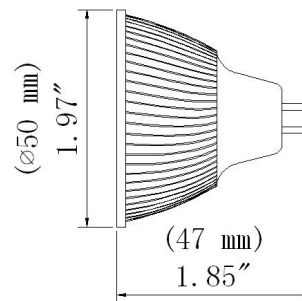
Applications include: Casinos, retail stores, hotel lobbies, and museums (no UV that can harm artwork), track and spot lighting and hallways. Aleddra MR16's advanced heat sink design allows the lamp to produce very little heat, giving the customer savings in both wattage & helping to reduce air conditioning demand when compared to traditional halogen MR16's. Total wattage consumption is 6.0W for the 2W3 model, while providing excellent lumen output of up to 300lm and an operating temperature range of -20°C to +50°C giving Lighting Designers the flexibility to the use of **Jefferson MR16** in a wide variety of applications. To qualify for local energy rebates offered by utilities, please check with your local PUD for qualification guidelines.

PHOTOMETRY (@ 1M DISTANCE)

Color Temperature: 3000K
Beam Angle: 25°



DIMENSION DIAGRAM



Disclaimer: Specifications are subject to change without notice. While due caution has been exercised in the production of this document, possible errors and omissions are unintentional.

Document Date:12/7/2011

Ordering Information:

M	R	1	6	-	LED Type	-	Beam Angle	-	LED Color	-	Input Voltage
					2W3 - 2W x 3		15 - 15°		30 - 3000K ± 250K		12V - 12 VAC/DC
							25 - 25°		40 - 4000K ± 250K		
							45 - 45°		50 - 5000K ± 250K		